



*Carron*

### **Carron stoves**

Few things in life give such simple pleasure as the warmth and character a real wood burning stove brings to a home.

Both classic in design and extremely practical, a Carron stove is an efficient and clean way to enjoy the charm of a solid fuel-real fire.

There really is nothing quite like owning a Carron stove.

Quite simply some of the finest stoves available.

*Carron*

For your nearest stockist:  
Freephone 0808 129 2224  
[www.carron.uk.net](http://www.carron.uk.net)

SIMPLY SOME OF THE FINEST  
STOVES AVAILABLE



**Gun Metal/Black Cast Iron Stove**

**Shown (4.7kw) BHC301**

Also available:  
Smoke Exempt Model (7.3kw) BHC101  
Smoke Exempt Model (4.7kw) BHC501



**Cream Enamel Cast Iron Stove**

**Shown (4.7kw) BHC306**

Also available:  
Smoke Exempt Model (7.3kw) BHC106  
Smoke Exempt Model (4.7kw) BHC506



**Red Enamel Cast Iron Stove**

**Shown (4.7kw) BHC303**

Also available:  
Smoke Exempt Model (7.3kw) BHC103  
Smoke Exempt Model (4.7kw) BHC503

**STOVE FEATURES - 7.3kw**

**APPROVED FOR USE IN SMOKE EXEMPT ZONES** when burning wood

**79.3% EFFICIENT** when burning wood

**SECONDARY AIR INLET** for cleaner glass and improved combustion

**TOP OR REAR** flue options

**ADJUSTABLE FEET** to allow levelling of stove

**EXTERNAL RIDDLE GRATE** mechanism with removable handle

**ADJUSTABLE DOOR HANDLE** to allow for fire rope compression

**AVAILABLE IN 6 ENAMEL FINISHES** as well as standard Matt Black

**3 PIECE FIRE CLAY BRICK** lined inner

**LARGE FLAME PICTURE WINDOW**

**STOVE FEATURES - 4.7kw**

**APPROVED FOR USE IN SMOKE EXEMPT ZONES** when burning wood

**76% EFFICIENT** when burning wood

**SECONDARY AIR INLET** for cleaner glass and improved combustion

**MULTI FUEL GRATE**

**NO ADDITIONAL ROOM VENTILATION NEEDED**

**EXTERNAL RIDDLE GRATE** mechanism with removable handle

**ADJUSTABLE DOOR HANDLE** to allow for fire rope compression

**AVAILABLE IN 5 ENAMEL FINISHES** as well as standard Matt Black

**3 PIECE FIRE CLAY BRICK** lined inner

**LARGE FLAME PICTURE WINDOW**



**Black Enamel Cast Iron Stove**

**Shown Smoke Exempt Model (7.3kw) BHC102**

Also available: (4.7kw) BHC302  
Smoke Exempt Model (4.7kw) BHC502



**Green Enamel Cast Iron Stove**

**Shown Smoke Exempt Model (7.3kw) BHC104**

Also available: (4.7kw) BHC304  
Smoke Exempt Model (4.7kw) BHC504



**Blue Enamel Cast Iron Stove**

**Shown Smoke Exempt Model (7.3kw) BHC105**

Also available (4.7kw) BHC305  
Smoke Exempt Model (4.7kw) BHC505



**Antique Enamel Cast Iron Stove**

**Shown Smoke Exempt Model (7.3kw) BHC107**

Only available in 7.3kw



**Red Enamel Cast Iron Stove**  
 Dante (5kw) BHC203  
 Smoke Exempt Model BHC403



**Gun Metal/Black Cast Iron Stove**  
 Dante (5kw) BHC201  
 Smoke Exempt Model BHC401

**STOVE FEATURES - Dante**

**APPROVED FOR USE IN SMOKE EXEMPT ZONES** when burning wood

**76.9% EFFICIENT** when burning wood

**SECONDARY AIR INLET** for cleaner glass and improved combustion

**MULTI FUEL GRATE**

**NO ADDITIONAL ROOM VENTILATION NEEDED**

**EXTERNAL RIDDLE GRATE** mechanism with removable handle

**ADJUSTABLE DOOR HANDLE** to allow for fire rope compression

**AVAILABLE IN 5 ENAMEL FINISHES** as well as standard Matt Black

**3 PIECE FIRE CLAY BRICK** lined inner

**LARGE FLAME PICTURE WINDOW**



**Blue Enamel Cast Iron Stove**  
 Dante (5kw) BHC205  
 Smoke Exempt Model BHC405



**Green Enamel Cast Iron Stove**  
 Dante (5kw) BHC204  
 Smoke Exempt Model BHC404

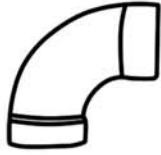


**Black Enamel Cast Iron Stove**  
 Dante (5kw) BHC202  
 Smoke Exempt Model BHC402



**Cream Enamel Cast Iron Stove**  
 Dante (5kw) BHC206  
 Smoke Exempt Model BHC406

## Stove Pipes



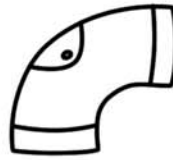
90° Swept Elbow  
- No Door

	5" ø	6" ø
Matt Black	PFS109	PFS115
Black Enamel	PFS110	PFS116
Red Enamel	PFS111	PFS117
Green Enamel	PFS112	PFS118
Blue Enamel	PFS113	PFS119
Cream Enamel	PFS114	PFS120



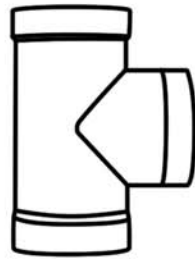
130° Swept Elbow  
- No Door

	5" ø	6" ø
Matt Black	PFS121	PFS127
Black Enamel	PFS122	PFS128
Red Enamel	PFS123	PFS129
Green Enamel	PFS124	PFS130
Blue Enamel	PFS125	PFS131
Cream Enamel	PFS126	PFS132



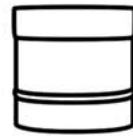
90° Swept Elbow  
- With Door

	5" ø	6" ø
Matt Black	PFS133	PFS139
Black Enamel	PFS134	PFS140
Red Enamel	PFS135	PFS141
Green Enamel	PFS136	PFS142
Blue Enamel	PFS137	PFS143
Cream Enamel	PFS138	PFS144



Standard Tee With Branch  
Spigot

	5" ø	6" ø
Matt Black	PFS145	PFS151
Black Enamel	PFS146	PFS152
Red Enamel	PFS147	PFS153
Green Enamel	PFS148	PFS154
Blue Enamel	PFS149	PFS155
Cream Enamel	PFS150	PFS156



6" Straight Join

	5" ø	6" ø
Matt Black	PFS001	PFS007
Black Enamel	PFS002	PFS008
Red Enamel	PFS003	PFS009
Green Enamel	PFS004	PFS010
Blue Enamel	PFS005	PFS011
Cream Enamel	PFS006	PFS012



Standard pipe with door

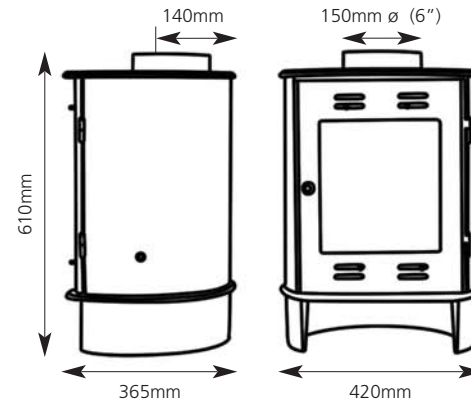
(300mm)	5" ø	6" ø
Matt Black	PFS061	PFS067
Black Enamel	PFS062	PFS068
Red Enamel	PFS063	PFS069
Green Enamel	PFS064	PFS070
Blue Enamel	PFS065	PFS071
Cream Enamel	PFS066	PFS072
(600mm)	5" ø	6" ø
Matt Black	PFS073	PFS079
Black Enamel	PFS074	PFS080
Red Enamel	PFS075	PFS081
Green Enamel	PFS076	PFS082
Blue Enamel	PFS077	PFS083
Cream Enamel	PFS078	PFS084
(900mm)	5" ø	6" ø
Matt Black	PFS085	PFS091
Black Enamel	PFS086	PFS092
Red Enamel	PFS087	PFS093
Green Enamel	PFS088	PFS094
Blue Enamel	PFS089	PFS095
Cream Enamel	PFS090	PFS096
(1200mm)	5" ø	6" ø
Matt Black	PFS097	PFS103
Black Enamel	PFS098	PFS104
Red Enamel	PFS099	PFS105
Green Enamel	PFS100	PFS106
Blue Enamel	PFS101	PFS107
Cream Enamel	PFS102	PFS108



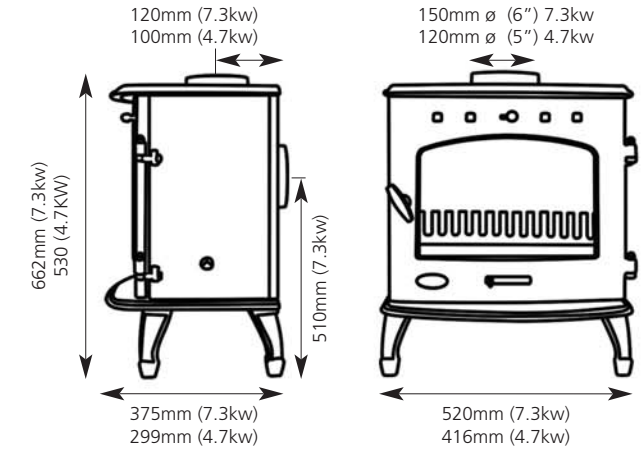
Standard pipe No door

(300mm)	5" ø	6" ø
Matt Black	PFS013	PFS019
Black Enamel	PFS014	PFS020
Red Enamel	PFS015	PFS021
Green Enamel	PFS016	PFS022
Blue Enamel	PFS017	PFS023
Cream Enamel	PFS018	PFS024
(600mm)	5" ø	6" ø
Matt Black	PFS025	PFS031
Black Enamel	PFS026	PFS032
Red Enamel	PFS027	PFS033
Green Enamel	PFS028	PFS034
Blue Enamel	PFS029	PFS035
Cream Enamel	PFS030	PFS036
(900mm)	5" ø	6" ø
Matt Black	PFS037	PFS043
Black Enamel	PFS038	PFS044
Red Enamel	PFS039	PFS045
Green Enamel	PFS040	PFS046
Blue Enamel	PFS041	PFS047
Cream Enamel	PFS042	PFS048
(1200mm)	5" ø	6" ø
Matt Black	PFS049	PFS055
Black Enamel	PFS050	PFS056
Red Enamel	PFS051	PFS057
Green Enamel	PFS052	PFS058
Blue Enamel	PFS053	PFS059
Cream Enamel	PFS054	PFS060

## Dante 5kw



## Carron 7.3kw & Carron 4.7kw



	Dante 5kw		Carron 7.3kw		Carron 4.7kw	
	Wood Fuel	Smokeless Fuel	Wood Fuel	Smokeless Fuel	Wood Fuel	Smokeless Fuel
<b>Output</b>	5kw	4.5kw	7.3kw	6.6kw	4.7kw	4.5kw
<b>Efficiency</b>	76.9%	67.7%	79.3%	71.5%	76.0%	69.5%
<b>CO at 13% O2</b>	0.64%	0.46%	0.33%	0.31%	0.63%	0.37%
<b>Flue temperature</b>	268°C	252°C	309°C	279°C	303°C	238°C
<b>Flue gas mass flow</b>	4.0g/s	7.1g/s	5.0g/s	7.4g/s	3.5g/s	6.1g/s
<b>Flue draught</b>	12Pa		12Pa		12Pa	
<b>Weight of stove</b>	70.5kg		89.4kg		55.0kg	
<b>Flue required</b>	6"		6"		5"	
<b>Clearances to:-</b>	<b>Side (mm)</b>	<b>Rear (mm)</b>	<b>Side (mm)</b>	<b>Rear (mm)</b>	<b>Side (mm)</b>	<b>Rear (mm)</b>
<b>Combustibles</b>	400	400	400	500	450	550
<b>Non Combustibles</b>	150	100	150	150	150	100

## Warranty

Carron Stoves are supplied with a 3 year stove body and 1 year inner components warranty.

This warranty does not cover items considered consumables. These items include door glass, fire bricks, fire rope and grates. The use of incorrect fuels would invalidate this warranty.

This appliance must be installed by a HETAS engineer. Proof of purchase and certificate of installation would be required in the case of a warranty claim.

Due to limitations of the printing process, colour reproduction of enamel stoves may vary slightly from those shown. Please consult your local stockist for more accurate colour matching.

Occasionally the enamel finish can show a crazing/cracking effect on the surface of the stove during use. This effect will normally lessen as the stove cools and should not be considered a defect. This crazing effect can be made worse by incorrect fuel or over-fueling.